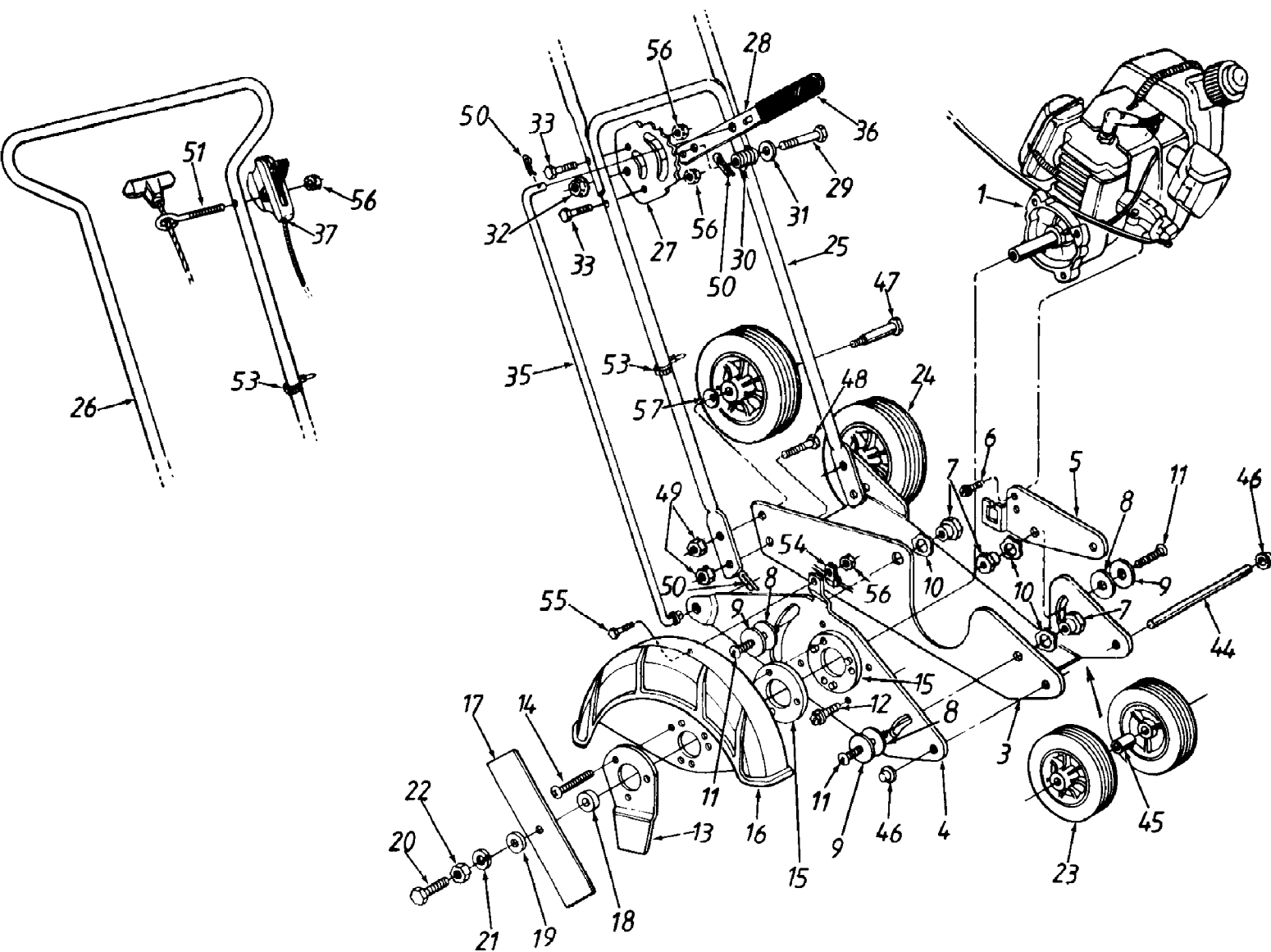


251-502-190 2 HP Edger (1991)
Edger Assembly



Ref #	Part Number	Qty	S/P/F	Description
1		1		ENGINE
3	17813	1		EDGER BASE
4	17812	1		SIDEPLATE
5	17815	1		ENGINE 0 SUPPORT BRKT.
6	710-1132	1		HEX WASH. HD. SCR. #8-32 X .625"
7	738-0835	1		SHLD. NUT 5/16-18 THD.
8	741-0562	1		THRUSH WASH. .319" I.D. X 1.25" O.D. X .05
9	736-0457	1		FL-WASH. .319" I.D. X 1.25" O.D. X .048"
10	736-0232	1	S	WAVE-WASH. .53" X.78" X.013"
11	710-0323	1	/P	TRUSS MACH. SCR. 5/16-18 X .75" LG.
12	710-1161	1		HEX WASH. HD. SCR. 1/4-20 X .50" LG.
13	787-0101	1		EDGE 0 GUIDE
14	710-1073	1		TRUSS MACH. SCR. #10-32 X 1.0" LG.
15	750-0837	1		SPACER-BLADE GUARD
16	731-1193	1	/P	BLADE GUARD
17	742-0554	1		BLADE
18	750-0826	1		SPACER .39" I.D. X 1" O.D. X .375"
19	736-3004	1	S	WASHER .406" I.D. X .812" O.D. X .125"
20	710-0459	1	S	HEX BOLT 3/8-24 X 1.5 LG.-GR. 5
21	736-0217	1	S	L-WASH. .318" I.D. (H.D.)
22	712-0241	1	/P	HEX NUT 3/8-24 THD.
23	634-0007	1		5" WHEEL
24	734-1690	1		6" WHEEL
25	749-0821	1		LOWER HANDLE
26	749-0452	1		UPPER HANDLE
27	17690	1		RATCHET PLATE
28	787-0114	1		RATCHET PLATE HANDLE
29	710-0442	1	S	HEX BOLT 5/16-18 X 1.5" LG.
30	732-0645	1	S	SPRING .5" I.D. X .75" O.D. X 1" LG.
31	736-0159	1	S	FL-WASH. .349" I.D. X .879" O.D. X .063"
32	712-0406	1		FLANGE 0 TOP L-NUT 5/16-18 THD.
33	710-1141	1		HEX BOLT 1/4-20 X 1.375" LG.
	712-0429	1	S	NYLON TOP L-NUT 5/16-18 THD.
35	747-0767	1		DEPTH CONTROL ROD
36	720-0243	1	S	VINYL GRIP
37	746-0771	1		CONTROL CHOKE ASS'Y.
44	750-0806	1		AXLE TUBE
45	750-0807	1		SPACER
46	726-0100	1	S	PUSHNUT RETAINER
47	738-0856	1		SHLD. BOLT .50 DIA. X 1.7"
48	710-0216	1	/P	HEX BOLT 3/8-16 X .75" LG.
49	712-0431	1	S	FLANGE L-NUT 3/8-16 THD.
50	714-0115	1	S	COTTER PI
51	710-1133	1		ROPE GUIDE EYEBOLT
53	726-0197	1		CABLE TIE
54	787-0115	1		CLAMP
55	710-0289	1	S	HEX BOLT 1/4-20 X .5" LG.
56	712-0324	1	/P	HEX INS. L-NUT 1/4-20 THD.
57	736-0105	1	/P	BELL-WASH. .38" I.D. X .88" O.D.